

SONY

Hi-Fi Products
Service Bulletin

Sony Service Company - Technical Services
A Division of Sony Corporation of America
Sony Drive, Park Ridge, New Jersey 07656

Model: TC-FX110

No. 205

Subject: Part Number for Record Lever Not Listed.

Date: September 9, 1991

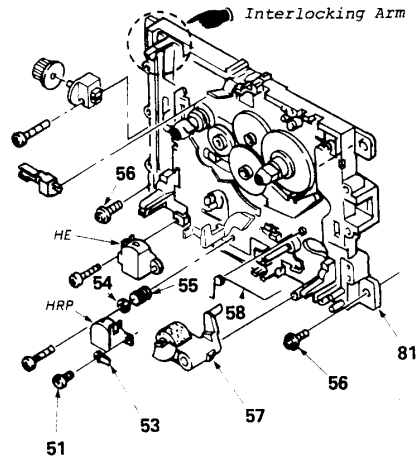
Symptom:
(**)

The part number for the record interlock lever is not referenced in the Service Manual. The record interlock lever is shown in the exploded view of the mechanism on page 13 of the Service Manual and is located at the top left corner of the Chassis Assy. (Ref. No. 81).

Solution:

The interlocking arm is the same as the TC-FX150. It is shown as Reference No. 712 on page 15 of the TC-FX150 Service Manual. The part number for the interlocking arm is as follows:

REFERENCE NUMBER	DESCRIPTION	PART NUMBER
-----	INTERLOCKING ARM	4-894-958-01



Reference: FPR-M1928

PRINTED IN U.S.A.
CSA-13891-2

CSA-13
Tape Deck